

Design and Analysis of Single Phase Grid Connected Inverter

Satheesh Kumar.D. Ramya.N.D. Indira.R., R.Ashok

Assistant Professor, Dept. of ECE, Panimalar institute of Technology, Poonamallee, Chennai, India

ABSTRACT: Power inverters are devices which can convert electrical energy of DC form into that of AC. Inverters can come in many different varieties, different parameters like price, power rating, efficiency and applications. The DC/AC power inverter is normally to take DC power supplied by a solar panel (or) battery, such as a 12 volt battery, and transform it into a 120 volt AC power source operating at 60 Hz, it has emulates the power available at an ordinary household electrical application. The tasks of Power inverters are used for day today life powering appliances in Domestic applications. When the inverter output is pure sinusoidal and its connected to the grid. But, to match the frequency, phase and amplitude of the grid and inverter output. Inverter output is depends upon the PWM (Pulse Width Modulation) signals to the gating of the inverter switches. The PWM pulses are generated with the help of Arduino Atmel 328 controller. Hysteresis current controller is used to adjust the inverter frequency up to the grid frequency. In this controller is implemented by simply and it provides good dynamic response and good output current regulation.

KEYWORDS: photo voltaic (pv) system, hysteresis controller, grid connection, step-up converter, maximum power point (MPPT) tracking, pulse width modulation (pwm).

I.INTRODUCTION

Power inverter is an important part of many DC to AC conversion equipments such as uninterrupter power supply (UPS), induction motor drive and automatic voltage regulator (AVR) systems. In these systems, it is the major requirement for the power inverter to be capable of producing and maintaining a stable and clean sinusoidal output voltage waveform regardless of the type of load connected to it. The main key to successfully maintain this ability is to have a feedback controller.

Photovoltaic (PV) source is one of the significant players in the world's energy portfolio, and it will make one of the biggest contributions to electricity generation among all the renewable energy candidates by 2040, because it is clean, emission-free, and renewable electrical generation source with the high reliability. The output voltage of pv arrays is relatively low. In order to satisfy the high bus voltage requirements for the full-bridge, half-bridge, or multilevel grid inverter. A solar inverter can be fed into a commercial electrical grid or used by an off-grid electrical network. The special functions of solar inverters are adapted for use with photovoltaic arrays, maximum power point tracking (MPPT) and anti-islanding protection.

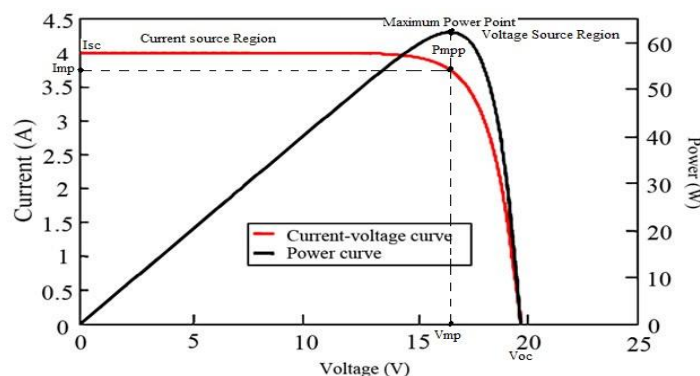


Fig.1.I-V and P-V Characteristics of Solar Cell

International Journal of Innovative Research in Computer and Communication Engineering

(An ISO 3297: 2007 Certified Organization)

Vol. 3, Issue 2, Febraury 2015

Fig.1. shows the I-V and P-V characteristics curve of ideal solar cell. when maximum power is attained by the formula

$$P_{max} = V_{oc} * I_{sc}$$

Where, V_{oc} =open circuit voltage and

I_{sc} =short circuit current.

$$P_{mpp} = V_{mp} * I_{mp}$$

Where, V_{mp} =maximum possible circuit voltage and

I_{mp} = maximum possible circuit current.

Current controlled PWM inverters are widely used in high performance AC drivers because they offer substantial advantages in eliminating stator dynamics in those systems. The main objective of current controller is to force the load current vector according to reference current trajectory. The performance of converter system is mainly dependent upon the type of current control technique is used. In current controller load currents, the errors are used as an input to the PWM modulators, which provides inverter switching signals.

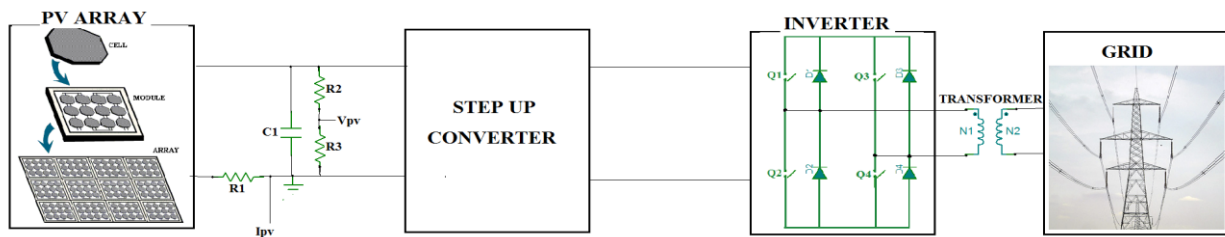


Fig.2. Ideal circuit of single phase grid connected inverter

Fig.2. shows the equivalent circuit of a single-phase full bridge inverter with connected to grid. When pv array provides small amount DC power and it fed to the step-up converter. The step-up converter boost the pv arrays output power and its fed to the inverter block. In the inverter converts DC into AC with help of pwm gate switching pulses. Finally synchronization of the phase and frequency of the inverter output voltage with the grid voltage.

II.LITERATURE SURVAY

Alamelu Nachiappan, Sundararajan and Malarselvam explained that hysteresis fixed band controller based inverters provides good dynamic response of load currents, good performance and it is conceptually simple and the implementation does not require complex circuits (or) processor.

Omar David Munoz concludes the generation of PWM pulses with the help of Arduino is very simple and the H-bridge inverters have the ability for selectable frequency outputs.

Wuhua Li and Xiangning gives detailed that the proposed conceptual solution for high step up, low cost and high efficiency DC/DC converter.

Balaji Siva Prasad, Sachin jain and Vivek agarwal concluded if the DC source voltage is greater than the peak grid voltage, it is recommended that the inverter should be operated in buck configuration for high power applications, resulting in reduced peak inductor current levels, and in buck-boost for lower power application taking the advantage of simple control and low grid current Total Harmonic Distortion (THD).

III.INVERTER MODEL

In this thesis, four power MOSFETs, IRF840, and fours fast recovery diodes, FR407, are chosen to construct the inverter. The full detail schematic of single phase inverter is illustrated in Fig.3. However, IGBTs should be chosen instead of MOSFETs in order to construct a larger scale of the system because IGBTs are cost effective as the rated power increases.

International Journal of Innovative Research in Computer and Communication Engineering

(An ISO 3297: 2007 Certified Organization)

Vol. 3, Issue 2, Febraury 2015

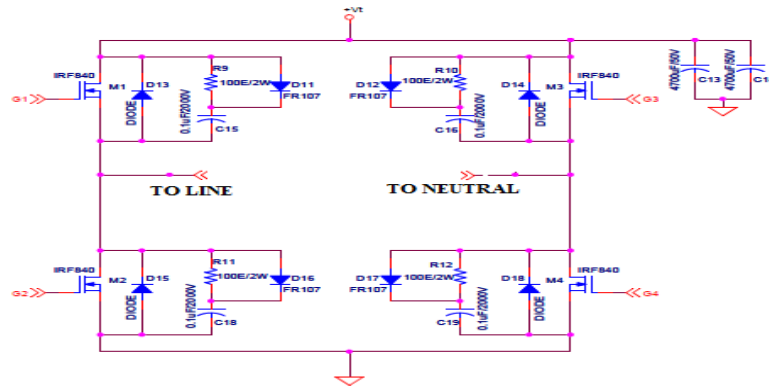


Fig.3. Schematic of the single phase inverter

The voltage-bidirectional two-quadrant switches have the properties of blocking both positive and negative voltage, but conducts only positive current. When the switch is intended to be in the off state, the controller turns the MOSFET off. The diode then blocks negative voltage, and the MOSFET blocks positive voltage. The series connection can block negative voltages up to the diode voltage rating, and positive voltages up to the MOSFET voltage rating. However, the positive current will flow from the converter to the distributed line only if when the converter output voltage is greater than the grid voltage plus diode forward-biased voltage. The optical isolated gate driver circuit is used to drive the inverter switches. The single phase inverter comprises of four switching elements, hence two hi-side gate drive circuits and two lo-side gate drive circuits are required. Each of hi-side circuit must be separately powered and grounded, as shown in Fig.3., because the switch Q3 and Q4 are not electrically connected. The first hi-side circuit is powered by VDD3 and provides “Hi1” command, while another hi-side circuit is powered by VDD4 and commands the switch Q4 via “Hi2” command. In contrast, both of the low-side circuit can be powered and grounded by the same power supply, which is VDD5 respected to an analog ground “2”, because both of switches Q5 and Q6 are electrically connected.

IV. PWM PULSE GENERATION

The Pulse Width Modulation (PWM) is a technique which is characterized by the generation of constant amplitude pulse by modulating the pulse duration by modulating the duty cycle. The block diagram representation of PWM pulse generation is shown in fig.4. Analog PWM control requires the generation of both reference and carrier signals that feeds to the comparator and it's based on some logic output, the final output is to derive the power MOSFET switches with help of IC IR2110. The reference signal output maybe sinusoidal or square wave, while the saw tooth or triangular waves are carrier signal at a frequency significantly greater than the reference. The waveform representation of PWM pulse is shown in fig.5. There are various types of PWM techniques and so we get different output and the choice of the Inverter depends on cost, noise level and power efficiency. In this thesis we can select sinusoidal PWM method and it provides high efficiency up to 90% and it compatible with today's digital microprocessors.

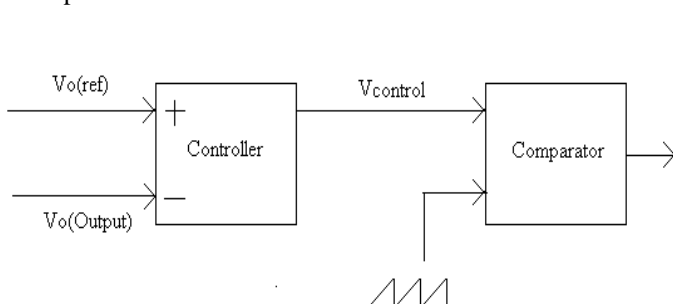


Fig.4. Generation of PWM pulse

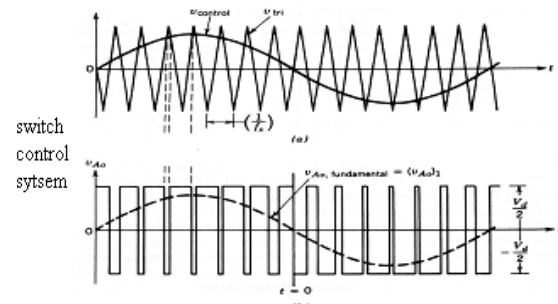


Fig.5. Pulse waveforms

International Journal of Innovative Research in Computer and Communication Engineering

(An ISO 3297: 2007 Certified Organization)

Vol. 3, Issue 2, Febraury 2015

Major advantages of PWM techniques:

- Reduces Switching Losses
- The Dc power supply is utilized that it's to delivers a higher output voltage with the same DC supply.
- Linearly controls in voltage and current.

V.HYSTERESIS CONTROLLER

The rectified sinusoidal hysteresis controller has an obligation of controlling and shaping the output current in such it matches the reference current. Fig.6. presents the conceptual diagram of the rectified sinusoidal hysteresis controller. According to Fig.6, the controller receives two inputs, the reference current (I_{ref}) and the output current (I_o). I_{ref} is generated by the Arduino microcontroller. The output current (I_o) is measured and signal-conditioned by HCPL788J, an optical isolated sensor. A difference amplifier, OP-07D with unity gain, then subtracts both inputs; hence the error signal is generated by, $I_{error} = I_o - I_{ref}$

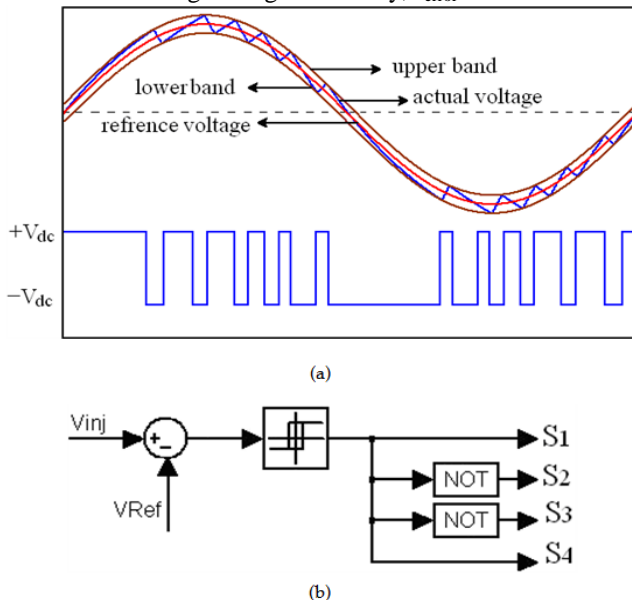


Fig.6. Hysteresis controller

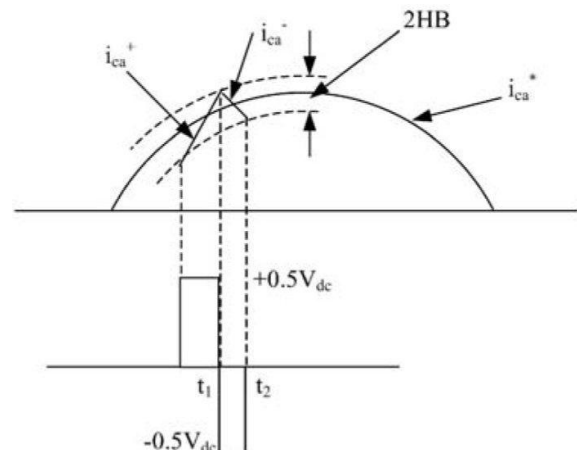


Fig.7. Hysteresis gap output

The hysteresis controller, THS4021ID, compares the error signal whether it is out of the allowance gap or not, as referred in Fig.6. This allowable gap is referred from to Fig.7, is called “hysteresis gap” or hysteresis band (HB)”, and is defined by,

$$\text{Hysteresis band} = \text{HB} = \left| \frac{R_i}{R_i + R_f} * V_{DD} \right| \text{ where } V_{DD} = \pm 12V$$

VI.ZERO CROSSING DETECTOR

The zero-crossing detector is a sensor which detects the rising edge of grid voltage; it generates the periodic pulse signal representing the frequency and the positive signal of grid voltage. This periodic signal is utilized in two control algorithms. First, under the current sink algorithm, the Arduino microcontroller detects it as the interrupt and starts executing the rest of the program after the interrupt have occurred. Second, it is used in islanding algorithm; this algorithm monitors the grid frequency and halts program if any fault conditions occur. According to Fig.8, the 220-Vrms grid voltage is attenuated to be a 9-Vrms voltage by a 50-Hz voltage transformer. The zener diode, 1N5231B, limits this attenuated voltage to a 5-Vpk signal. LM339, a quad-comparator IC, reconstructs this signal into a square wave signal. Finally, 74LS123, a monostable multivibrator, converts the square wave signal to the periodic pulse signal.

International Journal of Innovative Research in Computer and Communication Engineering

(An ISO 3297: 2007 Certified Organization)

Vol. 3, Issue 2, Febraury 2015

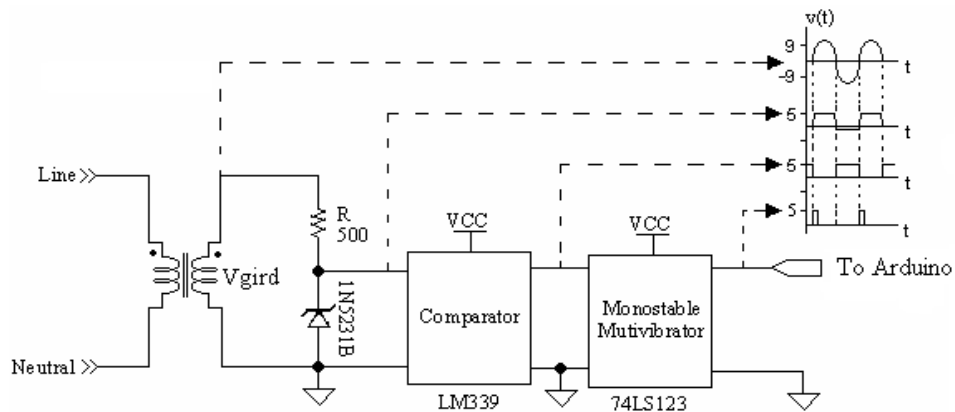


Fig.8. Diagram of zero-crossing detector

VII. MATLAB / SIMULATION RESULTS

The inverter was implemented and simulated using the simulink and simpowersystem tool of MATLAB 7.10.0 (R2013a). Initially the solar radiation and temperature are given as an input to the PV model. According to the inputs given the PV panel produces an output voltage. The above fig.9 shows the simulation model single phase inverter connected with the RL grid.

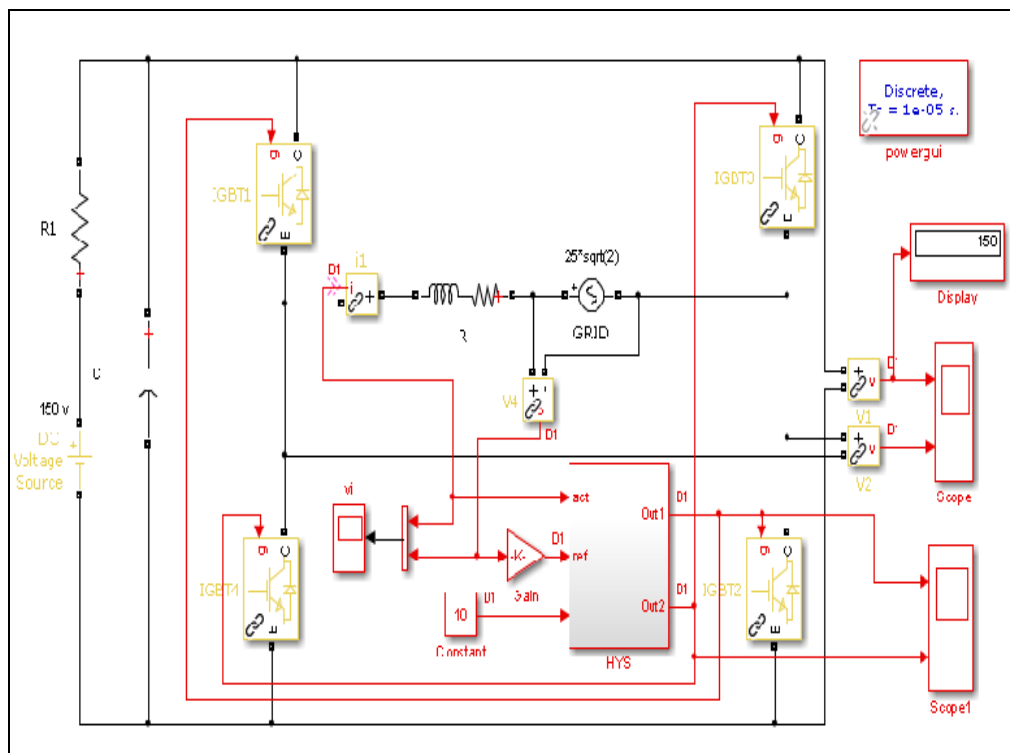


Fig.9. single phase grid connected inverter model

The output of PV model is not constant and it is too small. So in order to boost up the voltage and make the output as constant irrespective of the change in temperature the boost converter is introduced. Then the boosted voltage is converted into AC component by using an inverter and the developed power is injected into the grid. From the fig.10 is gating pulses of the inverter switching module.

International Journal of Innovative Research in Computer and Communication Engineering

(An ISO 3297: 2007 Certified Organization)

Vol. 3, Issue 2, Febraury 2015

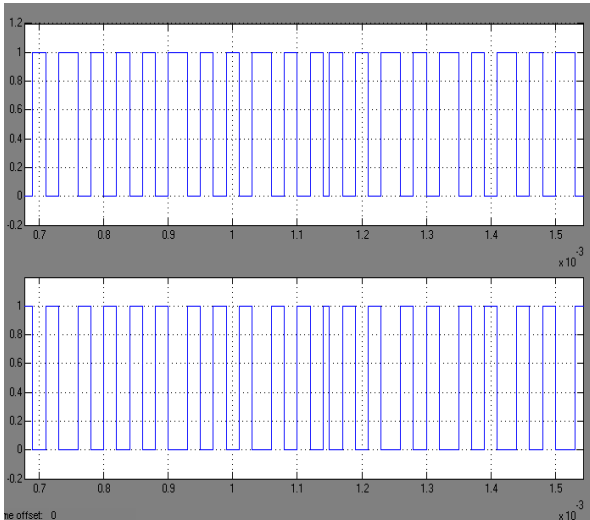


Fig.10.Gating pulses of the inverter

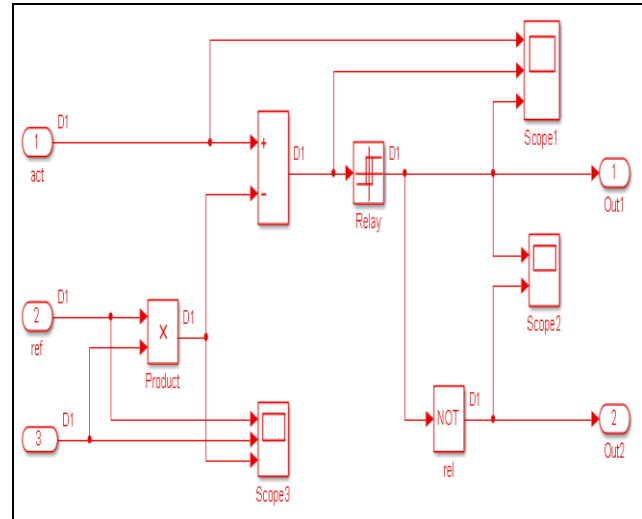


Fig.11.Hysteresis controller MATLAB / Simulink model

The detailed parameters of the inverter, solar pv array, grid and other components specification are for simulation is shown in table.

Parameters	specifications
Solar Insolation	1000w/m ²
Nominal solar array voltage	120 volts
Grid voltage	230 volts
Grid frequency	60 Hz
Inverter current	10 A
DC link Capacitor	1000uF
Filter Inductor	5mH
Transformer	1 : 1
Inverter Switching Frequency	20KHz
Load Resistor	100Ω

The Hysteresis controller is used to generate the PWM pulses. Fig.11 shows the MATLAB /simulink model of the hysteresis controller and Fig.12 and 13 are the input and output waveforms of the hysteresis controller model.

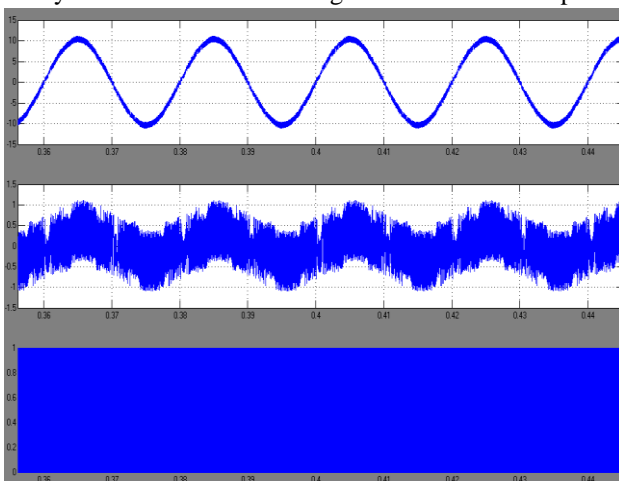


Fig.12.Hysteresis controller output

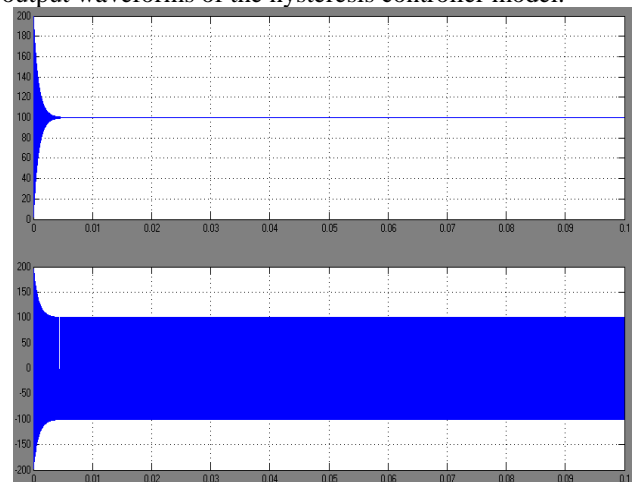


Fig.13.Error output waveform

International Journal of Innovative Research in Computer and Communication Engineering

(An ISO 3297: 2007 Certified Organization)

Vol. 3, Issue 2, Febraury 2015

Grid current and voltage waveforms are shown in fig. 14. From this Fig Grid current and voltage waveforms are positive. So, the power at the input side of the inverter is positive. Hence we say that act as a source. When the grid voltage and inverter current both of them in-phase and it provides power factor is nearly unity. The current flows from the grid to inverter. Hence we absorb a power from the utility grid. So, our inverter acts as a load.

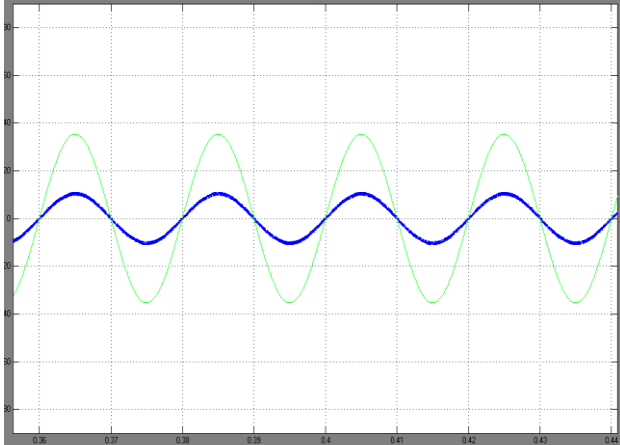


Fig.14.Grid current and voltage in-phase waveform

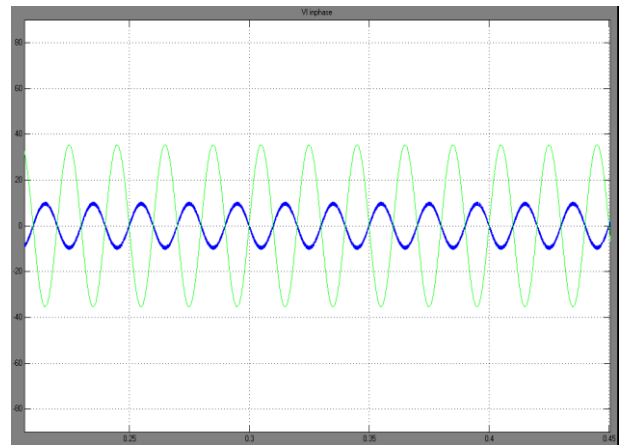


Fig.15.Grid current and voltage out of phase waveform

Grid current and voltage waveforms are shown in fig. 15. From this Fig we clearly examine that the voltage is positive and the current is negative i.e., the current phase is shifted to 180° (or) out of phase with grid voltage. So, the power is negative and therefore it acts as load. The current flows from the inverter to the grid. Hence we inject a power to the utility grid

VIII.CONCLUSION

The proposed design of single phase grid connected inverter system has been analysed and simulated by using MATLAB/SIMULINK. The output of solar PV power generation system is used to inject a power into the utility grid and it also used to feed a single phase residential load. Thus, this proposed configuration can greatly reduces the existing power demand, limits the use of conventional power generation techniques and also it is the only means to tackle the future power requirement. It saves the fossil fuels from depletion, limits global warming and keeps the environment clean and green.

REFERENCES

- [1].Alamelu Nachiappan,Sundararajan.K and Malarselvam.V "Current controlled voltage source Inverter using Hysteresis controller and PI controller", IEEE, 2012.
- [2].Omar David Munoz,"Design strategy for a 3- phase Variable Frequency Drive (VFD)", senior project, Electrical Engg Dept, California polytechnic state University, San Luis obispo,2011.
- [3].Li wang and Ying-Hao Lin, "Dynamic Stability analysis of a photovoltaic array connected to a Large utility Grid", IEEE 2000.
- [4].H.M.Abdar, A.chakravarthy, D.H.Moore, J.M. Murray and K.A.Loparo,"Design and Implementation a Specific Grid-Tie Inverter for an Agent-based Microgrid.
- [5].Single-phase grid-connected photovoltaic system using rectified sinusoidal hysteresis current control, Mr. Chainon Chaisook, Assoc. Prof. Dr. Ake Chaisawad Dr. Veerapol Monyakul, Control System and Instrumentation Engineering, King Mongkut's University of Technology Thonburi,2002
- [6].Balaji Siva Prasad, Sachin Jain and Vivek agarwal, "Universal Single-Stage Grid connected Inverter", IEEE Trans. Energy Convers, vol-23,no-1, pp.128-137, March-2008.
- [6].S.M.Cherati,N.A.Azli,S.M.Ayob and A.Mortezaei, "Design of a current mode PI controller for a Single-phase PWM Inverter", IEEE Applied Power Electronics Colloquium(IAPEC)", 2011.
- [7].Power Electronics by M.H.Rashid.
- [8].Power Electronics by Dr.P.S.Bimbhra, Kanna publishers, 4th Edition, 2010.

BIOGRAPHY

Mr. Sathesh kumar.D M.E is working as an Assistant professor in the Department of Electronics and Communication Engineering, Panimalar Institute of Technology, Chennai. He was received Master of Engineering degree in 2013 on Power Electronics and Drives (PED) from Anna University, College of Engineering campus, Chennai, India. He has research interests in inverters, converters and etc.