



Combining Internet of Things and Wireless Sensor Networks: A Security-based and Hierarchical Approach

Pankit Arora^{1*}, Sachin Bharadwaj²

Data Analyst, Sarvottam Institute of Technology and Management, India¹

Assistant Manager (GRC), EXL Service Pvt Ltd. India²

ABSTRACT: The Internet of Things (IoT) provides information and safety governance. The Internet of Things connects people and objects from all around the universe. The Internet of Things has numerous applications, including intelligent structures, rapid medical aid, building automation, and vehicle response. Instead, IoT might be placed on a single network, using resources and energy, and a wide range of sensors could be complemented by a small number of sensors in an existing IoT network. With the Internet of Things as an integration goal, sensing technology has been taken into consideration in this particular scenario. Detecting, data reacting, and regulating are the three main stages of the detection and management architectural The Internet of Things (IoT) provides information and safety governance. The Internet of Things connects people and objects from all around the universe. The Internet of Things has numerous applications, including intelligent structures, rapid medical aid, building automation, and vehicle response. Rather, IoT might be deployed on a single network, using energy and resources, and a few sensors on an already-existing IoT network could complement a large number of sensors. In this scenario, sensing technology has been considered with the purpose of integrating the Internet of Things. The three primary phases of the detection and management architectural style are detection, data reaction, and regulation.

style. Wireless sensed data is usually necessary to operate the detection device in Wireless Sensor networks (WSNs). To accomplish information exchange, the WSN transceiver module employs an ultra-low leverage radio frequency (RF) signal. The integration of wireless sensor systems and the internet of things with appropriate security specifications are elaborated on in this paper.

KEYWORDS: Wireless sensor networks, Internet of things (IoT), MANET, Integration, Zigbee.

I. INTRODUCTION

The Internet of Things (IoT) represents one of the most constantly developing innovations and technologies. Network servers could be linked in the physical realm that also changes daily experiences, including IoT. As a result, this same desire for connectivity throughout all places and at all times, especially in areas with higher activity, is increasing dramatically in in-home or assisted living healthcare attention. Figure 1 depicts a WSN with several levels of diversity [1-5].

International Journal of Innovative Research in Computer and Communication Engineering

(An ISO 3297: 2007 Certified Organization)

Website: www.ijirccce.com

Vol. 5, Issue 3, March 2017

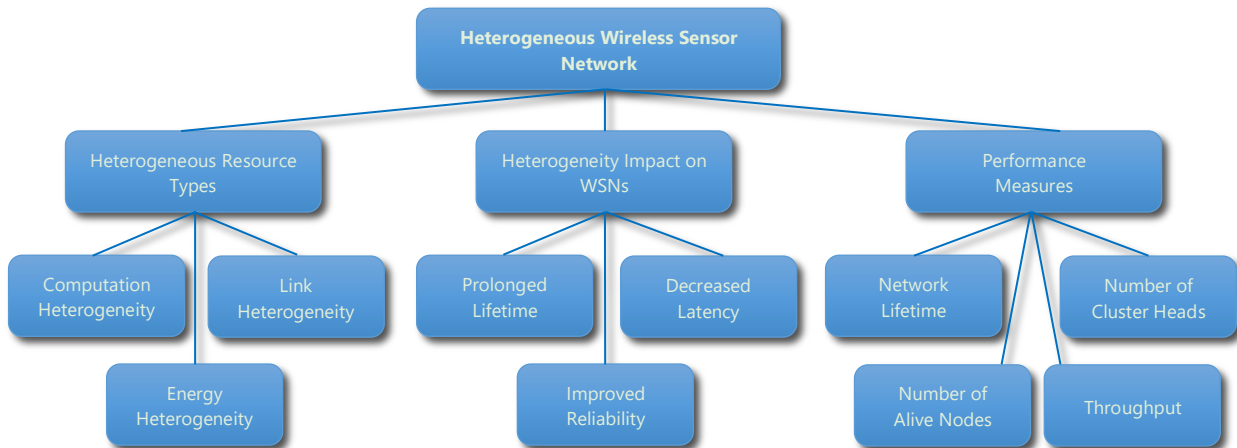


Figure 1. Articulation of heterogeneous wireless sensor network

Many advancements in sensor networks, telecommunications, as well as information systems had also shaped the realization of prevalent intelligent capacity. Such activities necessarily require increased data rates, tremendous frequency bands, increased capabilities, reduced latency, but also rapid connectivity. IoT has totally revolutionized the world by facilitating wireless integration among widely varying connections as a result of such fresh concepts (HetNets). The ultimate objective of IoT would be to introduce plug-and-play innovation that makes the appropriate selection for use, available from one distance, as well as user-customizable. This paper gives a general overview of IoT technology, which includes numerical as well as operational developments, implementation instances, challenges, as well as expectations for the future. Figure 2 shows a typical WSN.

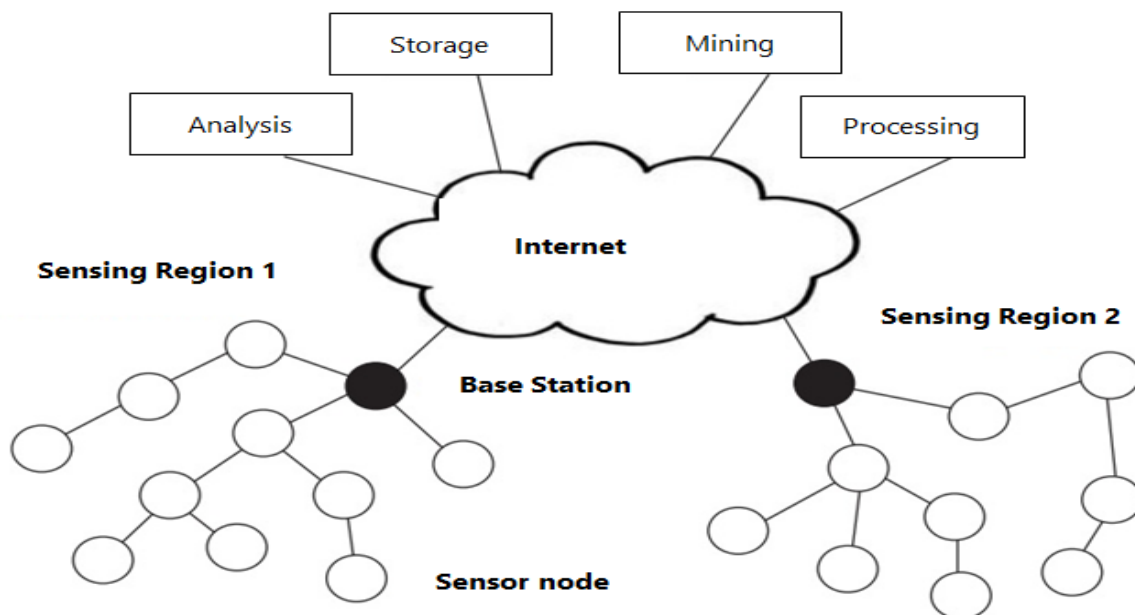


Figure 2. Example of a wireless sensor system

International Journal of Innovative Research in Computer and Communication Engineering

(An ISO 3297: 2007 Certified Organization)

Website: www.ijirccce.com

Vol. 5, Issue 3, March 2017

As a direct consequence of recent developments in the area of sensing, the real-time application had already picked up steam between many technical experts and investigators. To overcome the challenges posed by sensing, researchers and technologists developed real-time wireless sensor network implementations (WSN). The end-user would then receive input from real-time sensing for the data gathered can be analyzed much further. The real-time application explicitly mentions the effectiveness of critical applications that demand constricted delay transmission delay. WSN area of application of real-time wireless data transmission remains in its early life however it has the possibility to become a substantial field of research. Real-time applications could also oversee, immediately respond to user intervention, or impact the surrounding world [6-13].

Wireless Sensor Networks (WSNs) had already sparked the curiosity of investigators because of the rapid development of wireless connectivity and integrated electronic parts. A typical WSN is composed of numerous small gadgets identified as nodes, each with its own CPU and limited computation. Computing capability in addition to a few sensing systems Sensor nodes and endpoints are employed to track the surroundings with some of these. There are several factors to take into account, including moisture content, stresses, temperature, as well as vibration. A detector functionality is frequently located on a WSN node. These same computational, transmitter, and energy units too are linked together. Those are the components that perform essential systems by allowing the nodes to communicate with one another in order to transmit information procured by their sensor devices.

Depending on the circumstances, WSN could be distributed on territory, seafloor, or subway tunnels. WSN comes in many types, including aerial WSN, seafloor WSN, submerged WSN, audio and visual WSN, and portable WSN.

1.1 Wireless sensor network operation

Sensor networks are indeed the tiny, low-cost elements that comprise wireless sensor networks. It could either be small or large. As a consequence, sensors are utilized to construct the wireless sensor. As an outcome, detectors are critical to the sensor platform's overall operation. Such devices differ in their size and depend on them because distinct sensor network sizes undertake well in various industries. Detectors in WSNs connectivity all have a transceiver for generating radio signals, a diversity of transceivers, and a primed source of energy such as a power supply. The network connection functioned concurrently using different kinds of sensors as well as the multi-routing method, also recognized as the wireless ADHOC system. Figure 3 depicts an internet of things sensor node infrastructure.

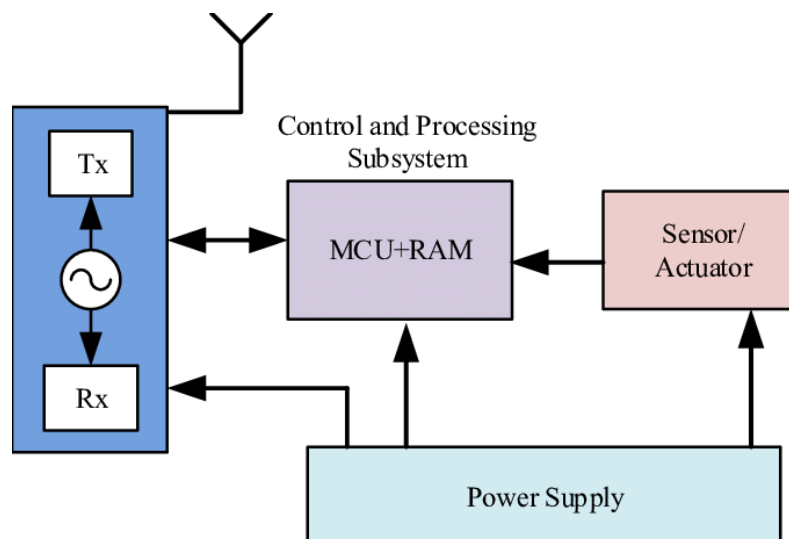


Figure 3. IoT Wireless Sensor Node Design



International Journal of Innovative Research in Computer and Communication Engineering

(An ISO 3297: 2007 Certified Organization)

Website: www.ijirccce.com

Vol. 5, Issue 3, March 2017

Filtration, power amplifier, converters, repeaters, and other supplementary elements are used in the above-mentioned sections. The sensor module collects or senses information from the work site. The transmitter starts sending information to the BS (base stations), whereas the processing element needs to perform data transformation tasks like information grouping, as well as the power supply that is frequently rechargeable batteries, supplies power to every other device [14].

II. IOT IMPLEMENTATION IN WSN

In the previous section, we learned what those wireless sensor networks (WSN) are and how they collaborate. Let us instead comprehend the diverse kinds of sensors and their obstacles [15-19]. The table below provides a comprehensive overview of the various kinds of sensors available as well as the challenges associated with their use. The correlation between WSN and MANET is shown in Table 1.

Table 1. WSN and MANET distinction

Issues	WSNs	MANETs
Interaction	Focuses on interaction with the environments	Close to humans: For example, laptops, mobile radio terminals, etc.
Nodes deployed	Very large	Not many
Population of nodes	Densely populated	Sparsely populated
Failure rate	High	Low
Communication	Broadcast	Point-to-point
Communication Range	Short	Long
Metrics	Efficiency, Resolution, Latency, Scalability, Robustness	Reception rate Dissemination Speed Redundancy
Power	Limited	Not an issue
Bandwidth Deficiency	Sometimes	Yes

Presently, throughout this segment, we shall look at the way it's used throughout WSNs as well as the multiple kinds of WSNs. Wireless sensor network (WSN) organization seems to be critical in PC organization for scanning this same area as well as information gathering. WSN investigates its implementation in just a few areas, information capacity, as well as observation. The very first highly formed WSN has been known as the Sound Surveillance System (SOSUS). It was applied to identify this same danger posed by underwater warships. Because of the weakness, vulnerability, as well as non-existence of system security, signal repeaters could be easily apprehended, altered, or tried to replace, destructed, created, or broken by potential hackers. For instance, a malicious, deceitful untrue consumer could persist in sending network congestion queries, preventing genuine individuals who have permission to make contact information from attempting to access it. As a consequence, safety has become one of the most crucial components of WMSN.

WSNs could provide privacy protection, validation, fairness, and functionality without Internet connectivity, obviously, it depends on the network's uncertainty. The intruder must participate in physical activity close to the WSN in order to add malicious nodes to the current infrastructure or even to cease or capture those. The emergence of WSNs on the world wide web, on the other hand, allows an attacker from across the globe to bring out their own malicious activities. As a consequence, the WSNs should be prepared to deal with the challenges that come with this Internet access, such as ransomware as well as other threats. To provide effective protection, existing WSNs include a passcode as well as a specific effective entry point. Nevertheless, due to limited computational capabilities, power, as well as memory, it is difficult to duplicate the same network security. Sensor networks for Internet of Things connections are unique in contrast to other forms of Networks such as the internet. Larger confidentiality still needs to implement RSA-1024-key

International Journal of Innovative Research in Computer and Communication Engineering

(An ISO 3297: 2007 Certified Organization)

Website: www.ijirccce.com

Vol. 5, Issue 3, March 2017

length cryptography. Improved security processes should incorporate the constraints that have been put in place to safeguard against various Network attacks. Table 2 summarises the assessment of WSN hardware and software.

Table 2. Analysis of the WSN operating systems

OS Feature	Architecture	Programming Model	Scheduling	Memory Management/ Protection	Communication Protocol Support	Resource Sharing	Support for Real-time Applications
TinyOS	Monolithic	Event-driven	FIFO	Static/Memory Protection	Active message	Virtualization and Completion events	No
Contiki	Modular	Protothreads & events	Events are fired as they occur	Dynamic/No process address space protection	uIP and Rime	Serialized access	No
MANTIS	Layered	Threads	Five priority Classes	Dynamic/No protection	At the kernel level COMM Layer	Through semaphores	To some extent at the process scheduling level
Nano-RK	Monolithic	Threads	Rate monotonic & Rate harmonized scheduling	Static/No protection	Socket-like abstraction for networking	Serialized access through semaphores and mutexes	Yes
LiteOS	Modular	Threads & Events	Priority-based round-robin scheduling	Dynamic/Protection to processes	File-based communication	Through synchronization primitives	No

The Internet of things (IoT) is an important spatial structure associated with the standard characteristics of such a conventional process that can communicate and exchange information. The Internet of Things (IoT), furthermore widely recognized as the "internet of everything," is indeed a paradigm shift that helps connect the physical and digital environments through a collection of sensors, desktops, the world wide web, radio frequency identification (RFID), integrated devices, and telecommunication technologies.

The system technique could indeed make utilize any hardware, program, or detectors. The Internet of Things provides information and safety monitoring. The Internet of Things connects individuals and objects from around the globe. The Internet of Things can be employed for a wide range of purposes, such as vehicle responding, intelligent buildings, rapid health care, and intelligent buildings. In existing Iot applications, a large number of sensors could well be



International Journal of Innovative Research in Computer and Communication Engineering

(An ISO 3297: 2007 Certified Organization)

Website: www.ijirccce.com

Vol. 5, Issue 3, March 2017

modified by a limited quantity of sensors, and IoT could be positioned on a unified system, consuming both energy and power.

In this frame of reference, sensing technology has been created with the Internet of Things as a focus. The three primary phases of the detection and management design are detecting, data responding, and regulation. A wireless sensor node is usually necessary to operate the sensor module wireless Sensor network (WSN). To accomplish information exchange, the WSN transceiver module employs an ultra-low power radio frequency (RF) signal. The application of electronic power converters to produce the generated control to the system could indeed advantage for the control system. The WSN powered by IoT is a game-changing intelligent tracking system.

III. LITERATURE REVIEW

This section describes the literature review on integrating wireless sensor networks and the internet of things [20-23]. The effectiveness of a Network system is dependent on configuration infrastructure support. There are three basic types of network assisted: star, tree, and mesh. Reduced-function devices (RFDs), as well as full-function devices (FFDs) end nodes, are interconnected to the fundamental personal area network (PAN) administrator's star configuration in a distributed system. Node network - This is a tree infrastructure that serves as a main (the sink node) and a subsidiary arrangement. The PAN facilitator is the top (root) node in the system. Mesh network - A peer-to-peer connectivity that consists of a single centralized controller, numerous FFD routers, and FFD and RFD network nodes.

Numerous blended configurations could be created by blending these topologies. The configuration structure is defined by the configuration of the gadgets: coordinator, access point, and network nodes. And using the optimum network performance (OPNET) modeller, the researchers have investigated Zigbee output for tree and mesh topologies. The effectiveness of these configurations in Zigbee was already evaluated in this task, so the network can be selected in situations where pricing is not a constraint, including armed services or defense implementations. Alternatively, tree topology may be used to achieve accurate results, though it is less dependable as well as the failure can indeed be self-healed. Scientific investigations can use variables including such exponent back-off, expanding the number of modules, trying to generate comparatively tiny, moderate, as well as large Zigbee systems, and having failed the facilitator to perform mesh and tree topology activities.

Researchers presented a comparative analysis for assessing the energy usage of a wireless system in terms of connectivity performance analysis such as latency, bandwidth, power prototype, and mean jitter utilizing two network algorithms, ad-hoc on-demand distance vector routing (AODV) and dynamic source routing (DSR) with ZigBee tree, mesh, and star configurations. Mesh topology, in accordance with the research results, is much more favorable for IoT systems including smart buildings and interior illumination, where the emphasis is already on conserving energy. These implementations can tolerate a little latency and jitter since they generally transmit information at a reduced level, including aspects of some variables including MAC load, MAC delay, and MAC bandwidth.

The researchers evaluated the application of synchronization to wireless sensors utilizing numerous ZigBee architectures to coordinate load. This evaluation was carried out using the OPNET modeling process. This modeling analyses the application of mesh as well as tree forwarding synchronization to substantiate configuration appropriateness and demonstrate some ZigBee protocol features and functions. The modeling produces a lower delay, MAC load, and hop count than the tree configuration. In the occasion of a disaster or recovery procedure, ZigBee-simulated systems are activated. The researchers include an efficiency overview of the different wireless personal area network (WPAN) configurations made available by IEEE802.15.4/ZigBee in throughput, traffic volume it was sent acquired utilizing Riverbed modeller.

The results of this research demonstrated that perhaps the cluster-tree configuration is much more useful and suitable for the IEEE802.15.4/Zigbee standard than in the mesh and star configurations. Cluster-tree configuration is perfect for a variety of implementations, including monitoring systems, eruptions control, pollution monitoring, and ecosystem surveillance. The researchers presented a comparative investigation of the tree and mesh configurations of ZigBee



International Journal of Innovative Research in Computer and Communication Engineering

(An ISO 3297: 2007 Certified Organization)

Website: www.ijirccce.com

Vol. 5, Issue 3, March 2017

networks using several frequency bands. The ZigBee network's operations and maintenance frequency bands are 868 MHz, 915 MHz, and 2.4 GHz. OPNET Modeller was used for acquiring as well as assessing output performance measures including processing capacity, data transmission delay, queuing system period, queue latency, information drop, as well as hop count. In comparison to the tree topology to different wavelength levels, the ZigBee mesh topology system delivers greater efficiency with less latency as well as information dropped.

Researchers presented CT-SIM, a set of proposed IEEE 802.15.4/ZigBee-based modeling designs that can communicate with large-scale cluster-tree wireless sensing networks on the basis of cluster scheduling, tackling, and directly and indirectly high bandwidth processes. It is centered on the Castalia simulator. CT-SIM was created with the flexibility of allowing various communication circumstances as well as connection specifications to be changed. Researchers and developers can now also try out new procedures and configurations for large-scale cluster network systems using IEEE 802.15.4/ZigBee requirements. The researchers evaluated different sensor node configurations of ZigBee networks for subsurface space monitoring and telecommunication technologies.

In different situations for static cluster formation in subsurface circumstances, the performance of ZigBee configurations was evaluated. Transfer rate, end-to-end delay, data packet delivery ratio (PDR), energy consumption, and packet transmission safety are all performance metrics. The findings of the analysis indicated that perhaps the mesh topology offers an extra efficient control and interconnection infrastructure, greater capacity, packet delivery ratio, and information security, as well as an adequate standard of operating condition in subsurface areas, while the cluster configuration is preferred in terms of reduced end-to-end latency and energy consumption utilization. As a result of appropriate information delay as well as source energy requirements, greater delays, and energy utilization could not be a serious worry for mesh topology in underground deployments.

IV. IOT-ENABLED WSN ENERGY EFFICIENT ROUTING PROTOCOLS

Zigbee employs the following network algorithms: preemptive procedure (table-driven), responsive procedure (on-demand), and hybrid procedure. Enhancing WSN longevity as well as effectiveness is indeed a key problem. It is critical to design the power usage but also effectiveness for a wide range of uses. For transmitting data among connected devices in an IoT-enabled WSN, an efficient network solution is necessitated. Numerous study methods for effective energy forwarding were established. The reliable cluster-based routing protocol (RCBRP) was suggested by the researchers, and it is based on the amount of CH nodes. It saves the energy required to address a complex problem. Whenever the BS is not associated with the network, RCBRP could indeed send a significant amount of information while requiring less power. In contrast to existing network architectures including energy efficient chain-based routing protocol (EECRP), low energy adaptive clustering hierarchy (LEECH), LEACH-centralized (LEECH-C), as well as game-theory-based energy-efficient clustering, RCBRP accomplishes relatively long lifetimes (GEEC). The power consumption across alternative choices out from the cluster head (CH) towards the base station (BS) would be determined in future research, but also effectiveness would be evaluated whenever power is detached. The researchers evaluated the energy usage of ZigBee and LoRa protocols. The energy consumption of the sensor network was determined and tested for payloads at different ranges and sleeping time frames. In accordance with this research, LoRa connectivity seems to be more effective for long-distance packet forwarding than Zigbee sensor nodes.

The effectiveness of a heterogeneous WSN using LoRa Zigbee hybrid communication was explored, wherein multiple ZigBee sensor groups and multiple LoRa sensor groups communicated in a network managed by a LoRa gateway using Zigbee to LoRa adapters. The system employs the utilization of the LoRa network's polling framework as well as the Zigbee platform's token ring procedure. Whenever the transmission distance of the Zigbee network is 630 meters and also the LoRa network is 3.7 kilometres, the system can operate with very little than 0.5% link failure. The results demonstrated that perhaps the platform's effectiveness might have drastically enhanced. The researchers suggested a new cluster-based method for mining sensor network information without transmitting it to the access point or the central node in order to achieve maximum effectiveness in an urban planning IoT-WSN. The primary concept behind the task would be that energy is calculated at every sensor network to conduct local calculations, transfer minimum statistical summarization of the greater level, and therefore decrease connectivity energy loss whenever the transferred



International Journal of Innovative Research in Computer and Communication Engineering

(An ISO 3297: 2007 Certified Organization)

Website: www.ijirccce.com

Vol. 5, Issue 3, March 2017

data of detectors is reduced, thereby increasing the sensor network lifetime. Moreover, to guarantee the confidentiality of sensor information, the strategy requires a confidentiality method that sends only a summary of data among member nodes as well as a cluster-head, in addition to between the access point and cluster-head.

Researchers examined various information propagation flooding as well as gossiping routing algorithms for something like the assessment of extremely congested wireless sensors centered mostly on Delphi random generator distribution service in terms of operational indicators including obtaining superfluous statistics, sense count, transceiver number, and receive count using an event-based strategy. The researchers demonstrated dispersion of eight sensor networks, particularly regarding regular, incremental, gamma, Weibull, generalized inverse Gaussian, beta, poison, and Cauchy, for data communication in terms of efficiency vectors such as perception count, receive count, and receive a duplicate number for multiple distribution methodologies. The simulation results revealed that when the sensor node allocation methodologies in the situation were altered from one situation to another, the routing algorithm for WSNs appeared unmanageable.

AODV, OLSR, ZRP, and DSR protocols are used to evaluate the performance of the Network system using the NetSim simulation. Evaluations have indeed been done upon output factors including throughput (Mbps), latency (microseconds), and packet sent and collected. To maximize the effectiveness of protocols in terms of typical delay factors, bandwidth, and mean jitter, researchers have presented a comparative analysis of the responsive algorithms DSR and AODV for the tree, mesh, and star configurations. It has been demonstrated that AODV outperforms DSR as well as the evaluation of energy models in terms of all efficiency improvements. Subsequent renderings of the research will include the various architectures, as well as being compared in both beacon-disabled and beacon-enabled states. In order to explore the impact of various types of batteries on 5 network architectures, the research looks into a wireless sensor system. Performance measures studied included mean last and first packet, obtained jitter, obtained total bytes, power usage, mean end-to-end delay, and bandwidth. Researchers developed and demonstrated an AODV-based architecture enabling wireless sensors to solve issues with the method's scaling. Researchers likewise discussed why scalability affects the effectiveness of the higher layers as well as the applications, networking, MAC, and transport layers.

It is well known that routing protocol is particularly effective in streamed applications. Unfortunately, the effectiveness of WSN multicast routing solutions has been the subject of a small collection of studies so far. The OPNET Modeler was used by the researchers to develop a Zigbee MAC layer simulation tool that is compatible with kernel program implementation and the Zigbee standards layers modeling approach. This is constructed including an improved AODV routing scheme that allows node variety. Inside the OPNET standard libraries, performance assessments between the developed framework and the Zigbee architecture are included. In order to determine the effectiveness of the model, the time intervals seen between the occurrence of a channel break as well as the restoration of the channel are determined in terms of dynamic network support.

Additionally, the comparison of the paradigm, where the mobility of nodes results in route disruptions, could make it simple to create other paths. The connectivity, forwarding, or dynamic network supports the effectiveness of the approach will be significantly improved. To enhance the IEEE 802.15.4 MAC layer management model offered by OPNET primarily relies on the ZigBee structure and the OPNET hierarchical modeling methodology, researchers estimated an improved ZigBee simulation environment.

The protocol stack systematic approach for the ZigBee routing algorithm standard is built on OPNET integrated forwarding. Across various network sizes, the conceptual framework reduced end-to-end delay and network management operating costs. The outcomes showed that perhaps the improved model was far more appropriate for the real-world use of WSN and provided more optimal simulation performance. By changing the transceiver power of different forwarding procedures' sensors, including AODV, dynamic MANET on demand (DYMO), as well as landmark ad-hoc forwarding, the researchers assessed the efficiency of the power of the technique system. They did this by assessing different forwarding procedures' effectiveness in terms of packet delivery, energy usage, power supply, and end-to-end latency. All fixed and portable experimental issues are well suited for LANMAR. In terms of

International Journal of Innovative Research in Computer and Communication Engineering

(An ISO 3297: 2007 Certified Organization)

Website: www.ijirccce.com

Vol. 5, Issue 3, March 2017

the performance restrictions it addresses, DYMO is quite comparable to LANMAR, but somehow it surpasses the end-of-delay situation with incredible life and speed. Consequently, DYMO might be utilized for hospital information system packet forwarding.

4.1. Security and trustworthiness of IoT-based WSN

WSN studies are increasingly concentrating on WSN cybersecurity. The accessibility, privacy, and accuracy of information may all be compromised by several threats. These were consequently very susceptible to a wide range of passive and proactive assaults due to the radio characteristics and signal propagation design considerations. Since wireless sensors have a restricted number of sensor nodes as well as experience power depletion, they are vulnerable to denial-of-service attacks. Regarding WSNs serving as a crucial component of the IoT, there is a variety of safety concerns that must be resolved. Such challenges could also apply to certain other important IoT technologies in conjunction with WSN.

4.2. IoT-based WSN Applications

As seen in Figure 4, an IoT-based WSN has several uses. Medical uses, intelligent buildings, environmental surveillance systems, as well as other implementations including atmospheric or water pollutants all employ IoT-based WSN. The applications that follow represent a few of them.

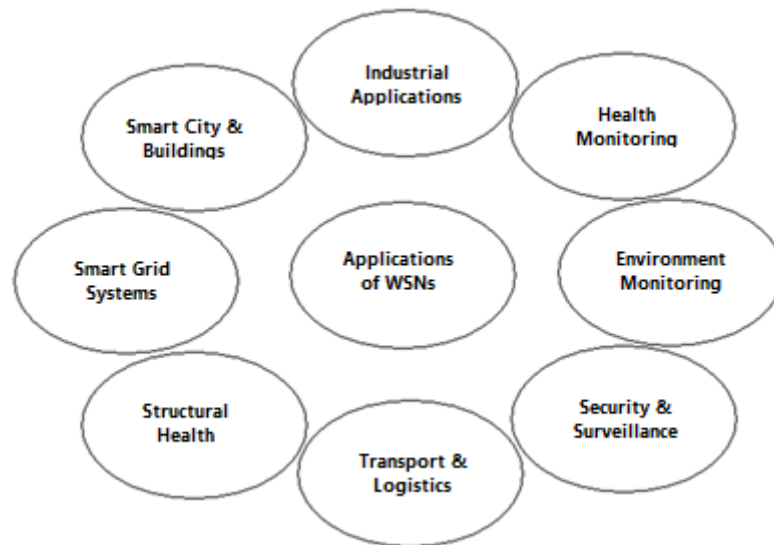


Figure 4. Categorization of the WSN applications

V. SECURITY ATTACKS IN IOT AND WSN

The potential threats which attack WSN and IoT technologies are firstly categorized at a high standard throughout this section. Furthermore, we move to further detail to discuss the most important issues that the research has addressed.

5.1. Classification of Attacks

1) Goal-Oriented Assaults: These cyberattacks, which may be passive or proactive, pose a danger to the privacy of information. Even without knowledge of the authenticated traffic, passively intruders get confidential material, including cryptographic algorithms. When decrypting material that has been poorly encoded, they utilize this metadata. Passive assaults include things like traffic monitoring as well as spying. Proactive intruders keep an eye on the internet as well as collect sensitive data so they can take over the network and modify this data. Examples of current threats include jammer, spoofing, Sybil, hole, or denial of service (DoS).



International Journal of Innovative Research in Computer and Communication Engineering

(An ISO 3297: 2007 Certified Organization)

Website: www.ijirccce.com

Vol. 5, Issue 3, March 2017

2) Performer-Oriented Attacks: Such assaults may be categorized as both inside and outside assaults based on the position of the offender concerning the networks. In insider assaults, the perpetrator is a valid node. As a result, it has access to essential data like the secret key. As a result, it is challenging to recognize this kind of assault. Interior assaults may lead to information alteration, network congestion, spying, and misrouting. Until then, external hackers might transmit a significant amount of information to clog the networks or deplete the systems, including DoS assaults.

3) Layer-Oriented Attacks: These are divided into three categories based on the data transmission layer that is being attacked. Each level is vulnerable to various assaults. For example, the data link layer could be threatened by compromised nodes sending a stream of packets without queuing up a sufficient amount of time to permit many devices to connect the stream, unjustified threats in which the attacker node sends the information without having to wait a sufficient amount of time to enable other devices to connect the stream, and exertion attacks in which attacker node transmit a substantial percentage of request-to-send communications to expend the buffer.

5.2. Serious IoT and WSN Attacks

The security mechanisms which are already primarily targeted at IoT and WSNs are further discussed in the subsections that precede. 1) A Denial of Service (DoS) assault aims to prevent access to services. It may render certain individuals inactive and obstruct communication amongst authenticated persons. Additionally, it could lead internet users to make poor choices. DDoS assaults might make IoT systems turn on constantly, draining their battery.

2) Man in the Middle Attack: The hacker poses as a piece of equipment that has already been directly connected to some other piece of equipment. The transmission may then be completely intercepted, have incorrect or altered data injected into it, or be eavesdropped on while it is happening.

3) Selective Forwarding Attack: Malicious nodes choose certain transmissions to flow across the networks and discard the others as every message travels through any of these nodes in the third kind of exploitation, selectively forward. When all of a network node transmissions are lost, this results in a phenomenon known as a networking hole.

4) IoT Device Vulnerability Threats: Risks from IoT device vulnerabilities are brought on by adding more network devices to the combination. Such gadgets can be malware-infected or even have security vulnerabilities. Intruders may use the flaws in such gadgets to their advantage. Network address translation (NAT) hole punching is one technique that may be used to provide external hackers the network's access for nefarious purposes including information infiltration, equipment penetration, or the injection of modified or inaccurate statements.

5.3. Summary of Machine Learning Methods

The three primary types of machine learning techniques are reinforcement learning, unsupervised learning, and supervised learning. This section provides a quick review of every one of these methods in this part.

A. Supervised Learning

In supervised learning, known inputs and their corresponding outputs are given for learning. Such information helps the machine to identify the output for other inputs. The key supervised learning algorithms are:

1) k-nearest Neighbour: The measurement of reference nodes inside this approach seems to be the mean of its closest neighbors as determined mostly by Euclidian distance. For instance, when a WSN node's measurement is absent, its average readings across cluster members in a particular location can be used to anticipate its measurement. The operations of this technique are straightforward. Nevertheless, when dealing with large-scale training datasets and higher dimensionality, it produces incorrect output.

2) Support Vector Machine (SVM): Through the discovery of a hyperplane across the two classifications, SVM is employed during categorization. SVM seeks to maximize its border (difference among closest distance) as well as accurately distinguishes between the two classifications in order to locate such planes. When a regular hyperplane cannot be established for categorization, SVM employs a parameter. The subclasses are now properly segregated because of the new characteristics that the procedure brings. SVM has incredible precision, resulting in its popularity for resolving security issues in IoT including WSNs.



International Journal of Innovative Research in Computer and Communication Engineering

(An ISO 3297: 2007 Certified Organization)

Website: www.ijirccce.com

Vol. 5, Issue 3, March 2017

3) Neural Network (NN): NN utilizes nerves to operate in a manner similar to the nerves and the brain. Such a bioinspired structure has several tiers. Nonlinear and intricate issues can be resolved with NN. Nevertheless, the calculations it uses are complicated. As a result, using it in decentralized IoT and WSN applications is challenging.

B. Unsupervised Learning

No outcomes are provided during unlabeled data. Training simply makes more useful information. The model divides such input into groupings referred to as clusters depending on such parameters. The appropriate groups could then be assigned to a fresh input.

1) Principal Component Analysis (PCA): In order to establish alternative dimensions, PCA extracts crucial information from data sets and then characterizes everything as fresh diagonal variables. The volume of information required is decreased using this technique. As a result, it breaks up big data sets into small pieces.

2) k-means Clustering: Using this approach, groupings are assigned to an information gathering. It starts by selecting k random cluster centers. These units are therefore gathered into categories depending on their closeness to the core. The method continues the preceding steps until everything conforms, recalculating the clusters by averaging the node within every cluster.

3) Reinforcement Learning: There are neither established inputs nor outcomes for supervised learning. Reward management instills this relationship. It receives credit if it does duties of high quality. For training, this algorithm engages with its environments.

VI. WIRELESS SENSOR NETWORKS

6.1. Setting up security measures for wireless sensor networks

It becomes difficult to research how protection mechanisms affect QoS inside the context of WSNs. Additionally, it might be challenging to include authentication methods in sensing devices that are physically associated with the Internet, and conventional security techniques are often not appropriate for application in WSNs. In actuality, the World wide web makes a wide range of potential risks accessible, yet detectors are generally resource-constrained devices being unable to apply sophisticated security precautions.

As a result, the QoS will unavoidably suffer as well as the lifespan of sensing devices as well as other similar technology may be drastically reduced. Forwarding activities in general include more resources. Several security procedures built on dispersed information management have trouble also because of this. For example, building a trustworthy authentication scheme necessitates information transmission between too many network elements, which has a significant impact on energy usage. Relay nodes must take their levels of energy into account in addition to the nodes that are nearest to the target node (though that may vary according to the circumstances). Security procedures could also add complexity. For instance, packet insertion might well be necessary for sensing devices to maintain geographical secrecy, which would increase transfer and, consequently, power usage.

6.2. The importance of security for wireless sensor network performance

Contrarily, the absence of safety precautions could have a detrimental effect on WSN QoS. In light of this, the impact of a sensor lacking the qualities of privacy, integrity, validity, and accessibility is investigated. The investigation includes a number of WSN protocols, including ZigBee, WirelessHart, ISA 100.11a, and 802.15.4 medium access control (MAC). The findings of this research showed that poor communication integrity causes more network congestion and lower capacity. Furthermore, an attacker node may mimic neighboring nodes in the network and disrupt reliability if there were no authenticating procedures in place.

This also demonstrates that the protocols are still susceptible to assaults like jams, collisions, and overflow that have an impact on the platform's QoS and that there remains a need for studies in the fields of QoS and cybersecurity protection for diverse network elements. Although the method demonstrates that protection can stop QoS from declining, it also



International Journal of Innovative Research in Computer and Communication Engineering

(An ISO 3297: 2007 Certified Organization)

Website: www.ijirccce.com

Vol. 5, Issue 3, March 2017

asserts that QoS is a prerequisite for privacy in a sensor network. According to this method, security requirements are categorized according to resource distribution, the integrity of data, and data secrecy. The accessibility, scalability, and reliability of such QoS are addressed along with energy conservation. Reliability is a crucial component of effective intrusion prevention and could be viewed as a privacy need. For instance, crucial aspects to take into account are the accessibility of the components of an intrusion detection system (IDS) or the systems which record the proofs of intrusions.

6.3. Data redundancy and hierarchy

Data redundancy would be another factor to take into account. Multiple sensors might monitor this very same area in WSNs, resulting in the production of an identical occurrence. The base station can determine if the event is legitimate or that it is actually an abnormality because of this duplication. For instance, when all of the detectors in a location except for one identify the existence of wildfire in a woodland where detectors are planted for fire alarm systems, it is likely that the detector that did not recognize the occurrence is in error. Similar to the preceding example, it might be more likely that there is no fire perhaps if one detector alerts to just one and all other detectors show that there is no flame.

The connection among network congestion, inconsistent data, dependability, power use, and data acquisition. Even though the detectors use more power to transmit the data, hence the more information redundancies there are, more the trustworthy the data is. Data aggregation suggests that perhaps the information be summarised when it reaches the destination in order to lessen the energy consumption resulting from redundant information. In a hierarchy organization, for instance, the CH node might determine whether such a wildfire is present and direct the reaction to the base station or the following central node. The cluster members must spend some of their capabilities to address the possibility that somehow this fusion will generate networking delays due to the decision-making procedure.

In terms of security, the fusion is particularly enticing to an intruder since it does not require attackers to mimic or mislead any node; rather, they simply need to locate and change the cluster's head. As a result, the groups not only turn into possible obstacles but also crucial hubs for measuring inaccuracy in a WSN setting.

6.4. Setting up quality-of-service systems for wireless sensor networks

We must not overlook the fact that indeed making sure QoS within those system applications (without taking into account the safety requirements) will be challenging since offering QoS support requires a predictability level which is challenging to achieve for the majority of resource-constrained networking systems as well as versatile systems since, for instance, varies in the topology of the network. The dependability is connected to bandwidth reservation, a QoS strategy in practice. The methods for bandwidth utilization provide a time-bound assurance that even a path will be open for transmissions. Such techniques allow for requesting access to conserve capacity over different networking pathways, using up the bandwidth available for information delivery in the process.

The infrastructure is also vulnerable to QoS signaling assaults, where an intruder holds idle capacity when certain procedures are implemented. Denial of service (DoS) results from the authorized networks' inability to conserve capabilities for their individual usage, and wasted energy is consumed by the intermediary nodes throughout the QoS signaling pathway. To harm internet connectivity, an attacker might be directed at particular nodes (such as cluster members) if the entire network was implicit. In the instance of the WSN, researchers also need to consider how the atmosphere may impact a number of the platform's components. For instance, a cyclone might destroy several sensors before isolating the infrastructure or the area of it which could be necessary for information gathering or transfer. Since such circumstances must be taken into account for intrusion prevention, it is occasionally possible to identify with absolute certainty and then instantaneously if the networks are being attacked or having problems as a result of those other extraneous environments.

6.5. Comprehensive Security in Wireless Sensor Networks

A comprehensive strategy attempts to improve the safety lifespan, and interconnectivity of wireless sensor systems during dynamic environmental factors. A platform's total protection is guaranteed by the comprehensive method of



International Journal of Innovative Research in Computer and Communication Engineering

(An ISO 3297: 2007 Certified Organization)

Website: www.ijirccce.com

Vol. 5, Issue 3, March 2017

security, which involves together all levels. A comprehensive approach may be the most appropriate strategy for this type of structure because of a particular security. In a network system, safety should be guaranteed including all layers of the protocol stack. The expense of maintaining safety must not exceed the evaluated potential threat at a particular time. If the security system is not guaranteed for the detectors, the security precautions would have to be able to degrade largely if certain of the detectors is damaged, malfunctioning, or seized by the adversaries. Despite the existence of effective cybersecurity measures operating in these other layers, the safety of the entire network collapses if protection is not taken into account across all of the layers of protection, for instance; if a sensor is seized or blocked in the protocol stack. Security might be built for the overall infrastructure by constructing layers of protection following the comprehensive approach.

VII. CONCLUSION

A wireless sensor network (WSN) is a system that consists of several sensors, each of which contains a detector to measure temperature, lighting, radiation, and other naturally occurring phenomena. This paper perceived that WSNs were viewed as a cutting-edge method of data collection for creating the information- and communication-based network that would significantly increase the dependability and effectiveness of facilities. Also, in comparison to the connected option, WSNs offer simpler installation and greater module adaptability. This paper also perceived that WSNs may overtake Bluetooth as the IoT's primary technology as a consequence of the sensor's quick advances in technology. Ultimately, this study outlines how to integrate wireless sensor networks as well as the internet of things with essential security precautions.

REFERENCES

1. A. Ashraf et al., "Internet of things technology for greenhouse monitoring and management system based on wireless sensor network," *ARNP Journal of Engineering and Applied Sciences*, vol. 11, no. 22, pp. 13169–13175, 2016.
2. A. R. Al-Ali, M. Qasaimeh, M. Al-Mardini, S. Radder, and I. A. Zualkernan, "ZigBee-based irrigation system for home gardens," in *2015 International Conference on Communications, Signal Processing, and their Applications (ICCSPA'15)*, Feb. 2015, pp. 1–5, doi: 10.1109/ICCSPA.2015.7081305.
3. H. Ghayvat et al., "Simulation and evaluation of ZigBee based smart home using Qualnet simulator," in *2015 9th International Conference on Sensing Technology (ICST)*, Dec. 2015, vol. 2016-March, pp. 536–542, doi: 10.1109/ICSensT.2015.7438456.
4. H. Ghayvat, S. Mukhopadhyay, X. Gui, and N. Suryadevara, "WSN- and IoT-based smart homes and their extension to smart buildings," *Sensors*, vol. 15, no. 5, pp. 10350–10379, May 2015, doi: 10.3390/s150510350.
5. D. Nathangashree, L. Ramachandran, S. Senthilkumar & R. Lakshmi Rekha, "PLC based smart monitoring system for photovoltaic panel using GSM technology", *International Journal of Advanced Research in Electronics and Communication Engineering*, vol. 5, no. 2, pp.251-255, 2016.
6. Senthilkumar. S, Lakshmi Rekha, Ramachandran. L & Dhivya. S, "Design and Implementation of secured wireless communication using Raspberry Pi", *International Research Journal of Engineering and Technology*, vol. 3, no. 2, pp. 1015-1018, 2016.
7. A. Renuka Devi, S. Senthilkumar, L. Ramachandran, "Circularly Polarized Dualband Switched-Beam Antenna Array for GNSS" *International Journal of Advanced Engineering Research and Science*, vol. 2, no. 1, pp. 6-9; 2015.
8. S. Senthilkumar, L. Ramachandran, R. S. Aarthi, "Pick and place of Robotic Vehicle by using an Arm based Solar tracking system", *International Journal of Advanced Engineering Research and Science*, vol. 1, no. 7, pp. 39-43, 2014.
9. S. Suganya, R. Sinduja, T. Sowmiya & S. Senthilkumar, "Street Light Glow on Detecting Vehicle Movement Using Sensor", *International Journal for Advance Research in Engineering and Technology, ICIRET-2014*.
10. S. Pirbhulal et al., "A novel secure IoT-based smart home automation system using a wireless sensor network," *Sensors*, vol. 17, no. 12, p. 69, Dec. 2016, doi: 10.3390/s17010069.